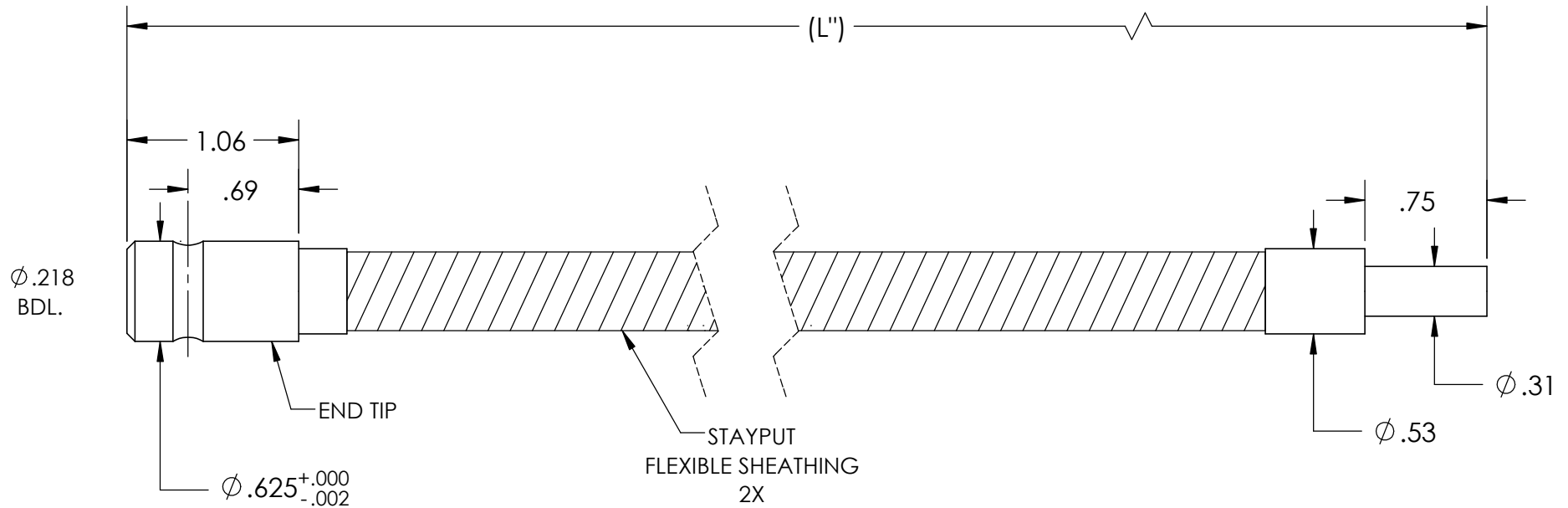


PART NUMBER	LENGTH	REV.
FTIIG10060	20"	A
FTIIG10818	21"	A
FTIIG14474	24"	A



NOTES:

- 1) FIBER-PureWave® XL55 OR SL55
- 2) NON-RANDOM
- 3) END TIPS-STST
- 4) SHEATHING-CHROME PLATED STAY-PUT
- 5) FOR OPTIONAL FOCUSING LENS USE FTIIG10822

PROPRIETARY AND CONFIDENTIAL

THE INFORMATION CONTAINED IN THIS DRAWING IS THE SOLE PROPERTY OF FIBEROPTICS TECHNOLOGY. ANY REPRODUCTION IN PART OR AS A WHOLE WITHOUT THE WRITTEN PERMISSION OF FIBEROPTICS TECHNOLOGY IS PROHIBITED.

UNLESS OTHERWISE SPECIFIED:	NAME	DATE	FIBEROPTICS TECHNOLOGY	
DIMENSIONS ARE IN INCHES TOLERANCES: ANGULAR: MACH $\pm 2^\circ$ TWO PLACE DECIMAL $\pm .010$ THREE PLACE DECIMAL $\pm .005$	DRAWN	SGP	12/20/19	TITLE: <h1>STAY-PUT ASSEMBLY</h1>
	CHECKED	JFC	1/21/20	
	ENG APPR.	JFC	1/21/20	
	MFG APPR.			
INTERPRET GEOMETRIC TOLERANCING PER:	Q.A.			SIZE DWG. NO. REV <h1>A SEE CHART</h1> SEE CHART
MATERIAL	COMMENTS:		SCALE: 1:8	
FINISH				SHEET 1 OF 1
DO NOT SCALE DRAWING				

5

↑

4

3

2

1