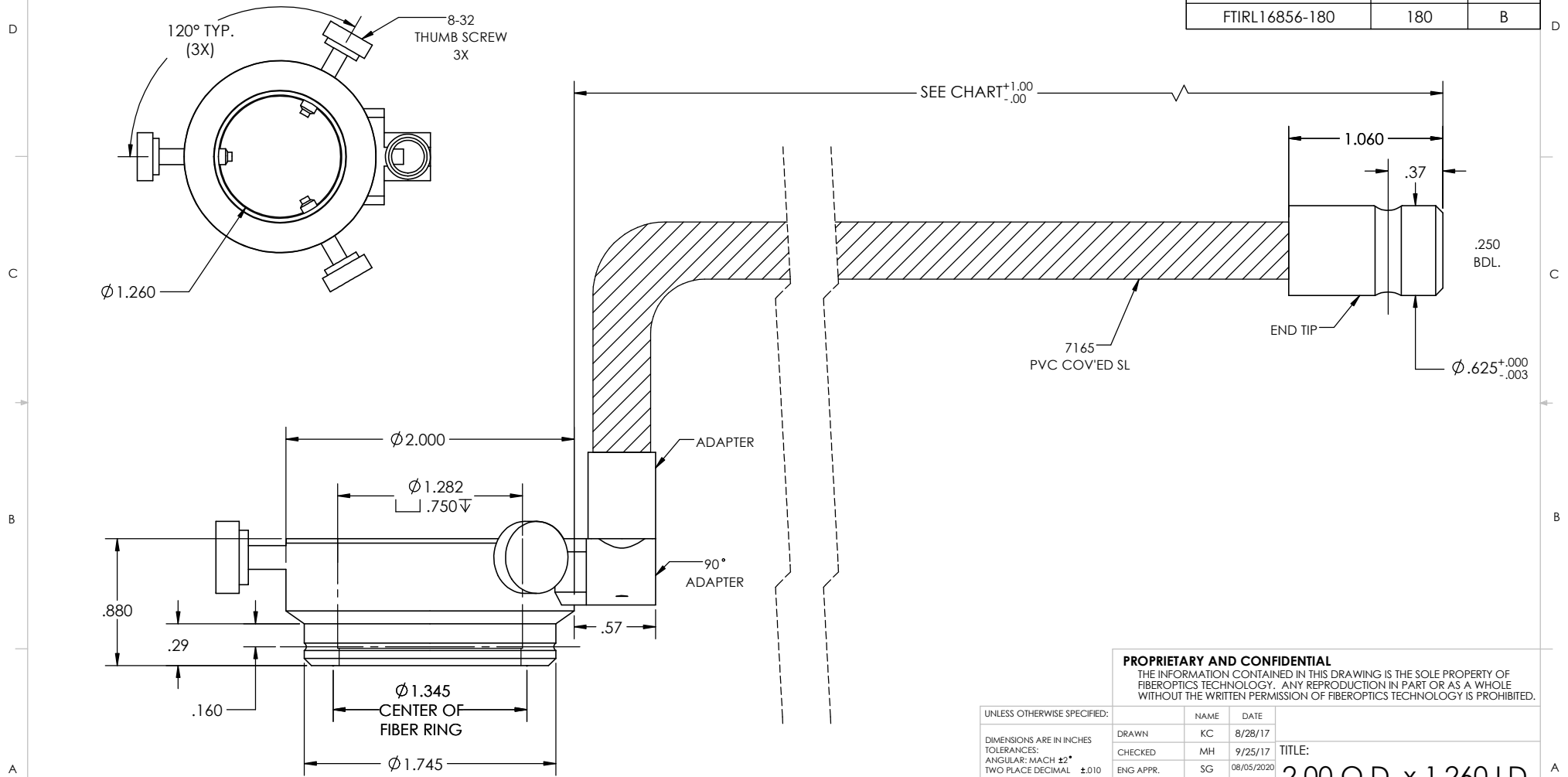


DATE	SYM	ECO#	REVISION RECORD	AUTH.	DR.	CK.
10/02/17	B	2576	CAD TO SW, AD'D CHART & INSPC. DTLS.	MH	SGP	RJM

PART NUMBER	LENGTH	REV
FTIRL16856-1.25-VE	30	B
FTIRL16856-1.25VE-60	60	B
FTIRL16856-144	144	C
FTIRL16856-180	180	B



- NOTES:
- 1) FIBER-PureWave® XL55 OR SL55
 - 2) WD= 1.5" TO 4"
 - 3) RING LIGHT, ADAPTERS AND END TIP-BLACK HARD COATED ALUM.
 - 4) .010/.012 WIDE FIBER RING

PROPRIETARY AND CONFIDENTIAL
 THE INFORMATION CONTAINED IN THIS DRAWING IS THE SOLE PROPERTY OF FIBEROPTICS TECHNOLOGY. ANY REPRODUCTION IN PART OR AS A WHOLE WITHOUT THE WRITTEN PERMISSION OF FIBEROPTICS TECHNOLOGY IS PROHIBITED.

UNLESS OTHERWISE SPECIFIED:		
DRAWN	KC	8/28/17
CHECKED	MH	9/25/17
ENG APPR.	SG	08/05/2020
MFG APPR.		
Q.A.		
COMMENTS:		
INTERPRET GEOMETRIC TOLERANCING PER:		
MATERIAL:		
FINISH:		
DO NOT SCALE DRAWING		

TITLE:		
2.00 O.D. x 1.260 I.D. VERT. RINGLIGHT		
SIZE	DWG. NO.	REV
B	SEE CHART	SEE CHART
SCALE: 3:2	WEIGHT:	SHEET 1 OF 1