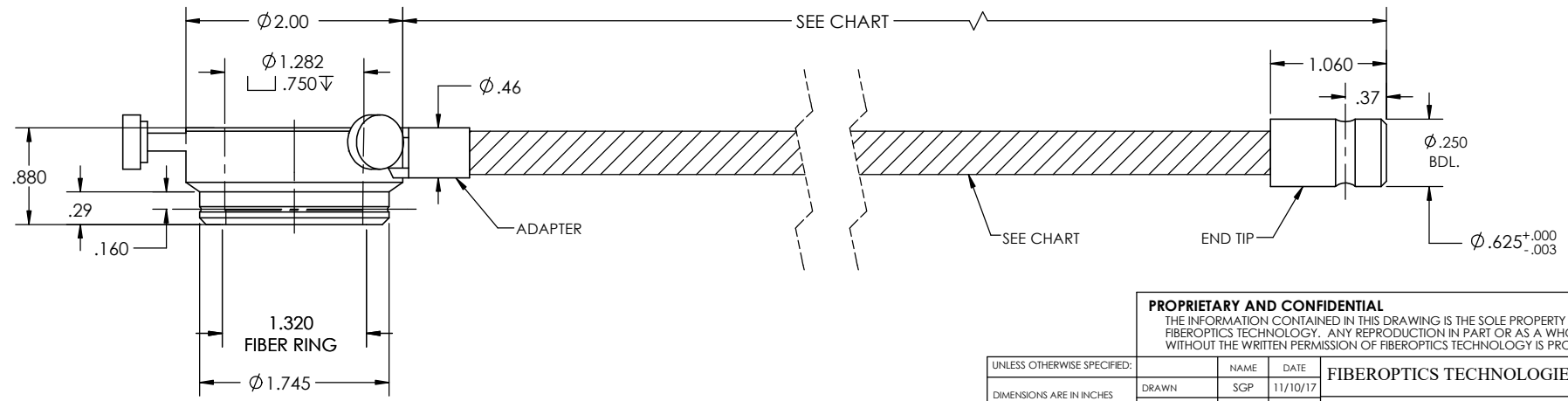
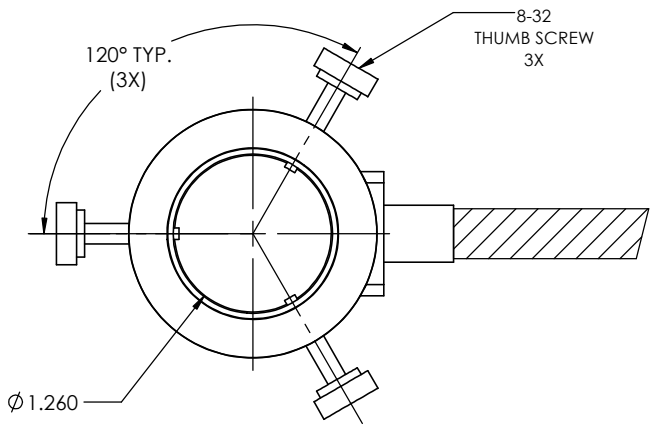


DATE	SYM	ECO#	REVISION RECORD	AUTH.	DR.	CK.
11/29/17	B	2628	CAD TO SW, ADDED L./SHTH. CHART	MH	SGP	RJM

PART NUMBER	SHEATHING MAT.	LENGTH	REV
FTIRL16856-1.25	PVC COV'ED SL	30"	B
FTIRL16856-1.25-HIGH TEMP	STST SL	30"	A
FTIRL16856-1.25-60	PVC COV'ED SL	60"	A
FTIRL16856-1.25-2M	PVC COV'ED SL	78-3/4"	A
FTIRL23415	PVC COV'ED SL	120"	A



- NOTES:
- 1) FIBER-PureWave® XL55 OR SL55
 - 2) WD= 1.5" TO 4"
 - 3) RING LIGHT, ADAPTER AND END TIP-BLACK HARD COATED ALUM.
 - 4) .010/.012 WIDE FIBER RING

PROPRIETARY AND CONFIDENTIAL
 THE INFORMATION CONTAINED IN THIS DRAWING IS THE SOLE PROPERTY OF FIBEROPTICS TECHNOLOGIES INC. ANY REPRODUCTION IN PART OR AS A WHOLE WITHOUT THE WRITTEN PERMISSION OF FIBEROPTICS TECHNOLOGIES IS PROHIBITED.

UNLESS OTHERWISE SPECIFIED:	NAME	DATE	FIBEROPTICS TECHNOLOGIES INC.
DRAWN	SGP	11/10/17	
CHECKED	MH	11/13/17	
ENG APPR.	MH	11/13/17	
MFG APPR.	SG	08/20/2020	
INTERPRET GEOMETRIC TOLERANCING PER:	Q.A.		
MATERIAL	COMMENTS:		
FINISH			
DO NOT SCALE DRAWING			

TITLE:
Ø 2.0" O.D. X 1.260 I.D. X 30" RINGLIGHT

SIZE B	DWG. NO. SEE CHART	REV SEE CHART
SCALE: 1:1	WEIGHT:	SHEET 1 OF 1