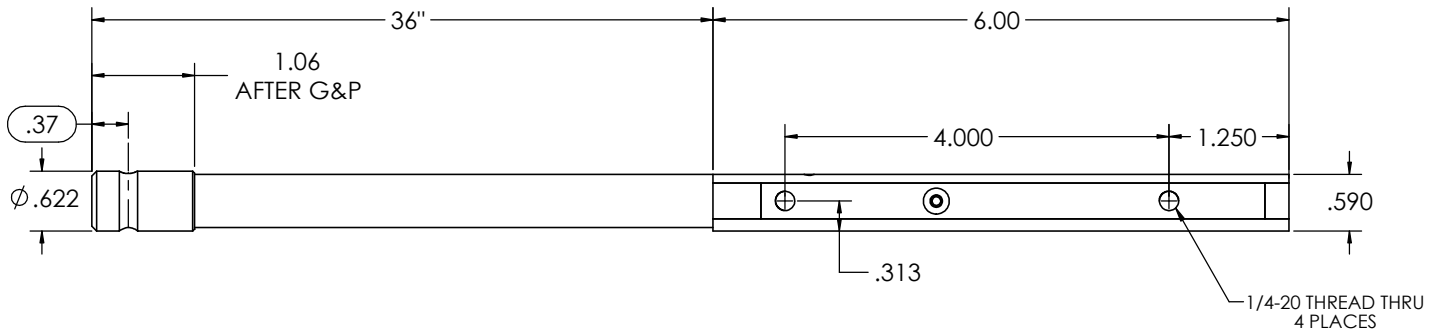
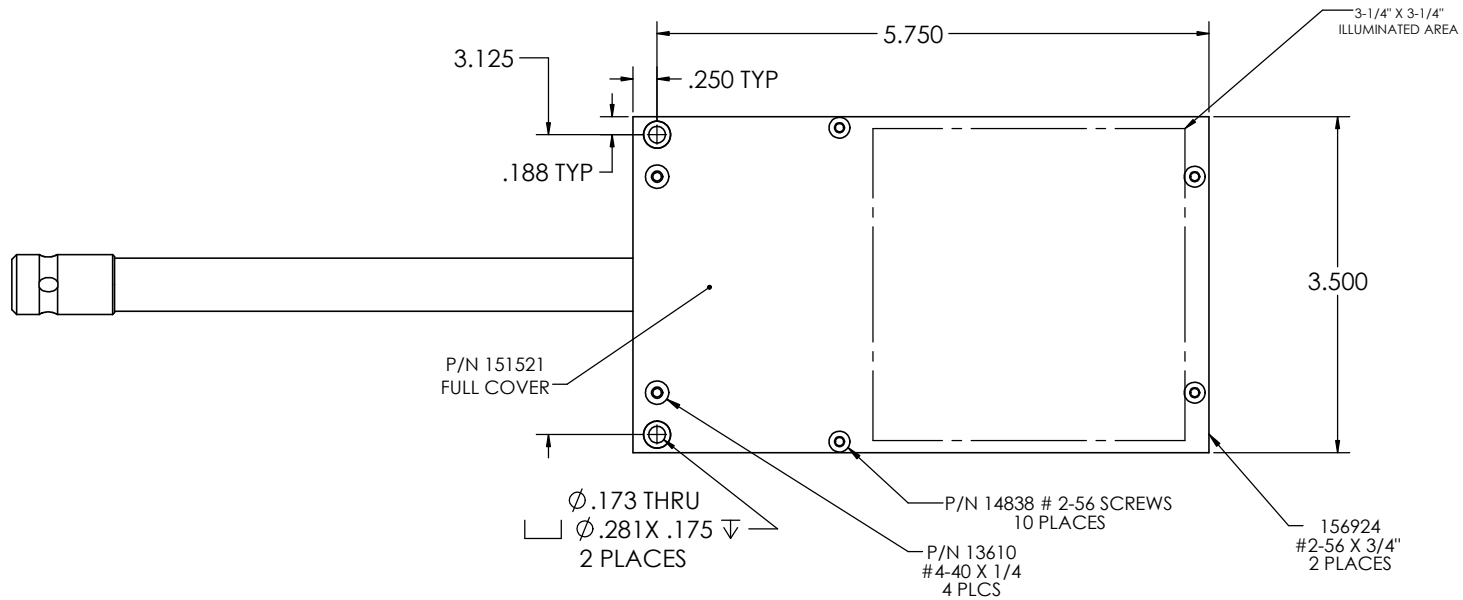
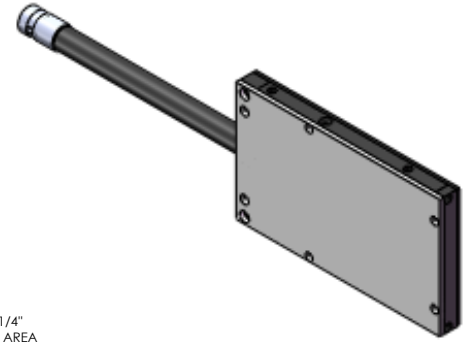
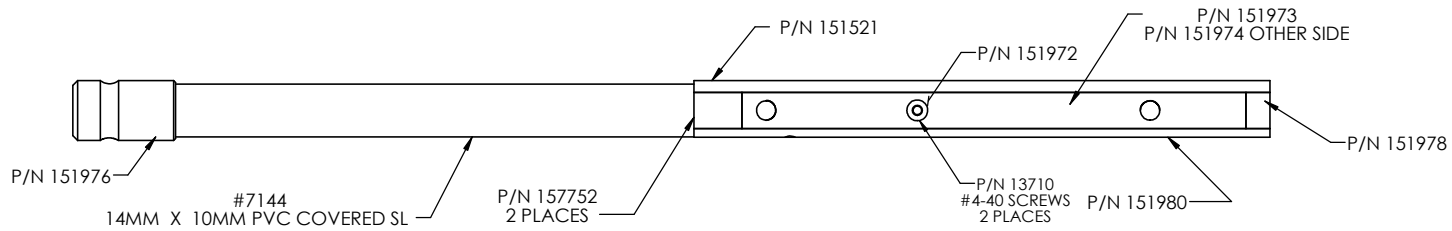


DATE	SYM	REVISION RECORD	AUTH.	DR.	CK.
10/26/10	B	DESIGN CHANGE ECN#1743	SG	VB	RJM
07/26/2022	C	ADDED COPPER TAPE (161607)	RH	JFC	MH



NOTES:

- 1) FIBER: .66NA/.002
- 2)  $\Delta$  APPLY REFLECTIVE TAPE TO BOTTOM AND SIDES OF 3 X 3 OPENING
- 3) USE G&P FIXTURE 1007 ON 151976
- 4) SEE SHEET 2 FOR FIBER LINE ASSEMBLY

**PROPRIETARY AND CONFIDENTIAL**  
 THE INFORMATION CONTAINED IN THIS DRAWING IS THE SOLE PROPERTY OF FIBEROPTICS TECHNOLOGY. ANY REPRODUCTION IN PART OR AS A WHOLE WITHOUT THE WRITTEN PERMISSION OF FIBEROPTICS TECHNOLOGY IS PROHIBITED.

UNLESS OTHERWISE SPECIFIED:	NAME	DATE	TITLE:
DIMENSIONS ARE IN INCHES	DRAWN	VB	9/14/10
TOLERANCES:	CHECKED	RJM	11/02/10
ANGULAR: MACH $\pm$ .5°	ENG APPR.	RJM	11/02/10
TWO PLACE DECIMAL $\pm$ .010	MFG APPR.		
THREE PLACE DECIMAL $\pm$ .005	D.A.		
INTERPRET GEOMETRIC TOLERANCING PER:	COMMENTS:		
DO NOT SCALE DRAWING			

**3 X 3  
BACK LIGHT**

SIZE	DWG. NO.	REV
C	FTIBL16308	C
SCALE: 1:1	WEIGHT:	SHEET 1 OF 2